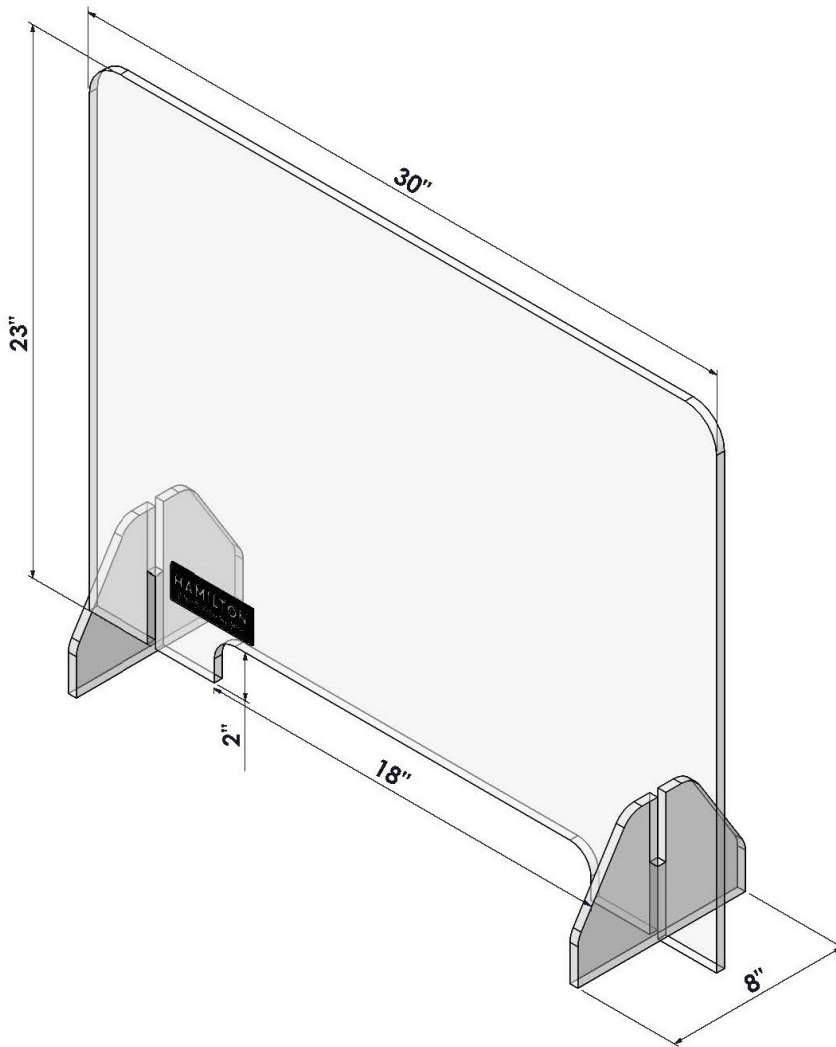


Standard Clear Acrylic Sneeze Guard

**HAMILTON
WALK-UP**

Kit# PSG-100-KIT



- 23"H x 30"W x 8" Base
- Barrier against germs
- Clear site lines
- Impact resistant
- 18" wide pass thru
- Lightweight and portable
- Removable base for easy relocation

est. 1967

HAMILTON
CUSTOM MADE SECURITY

A **GUNNEBO**® COMPANY



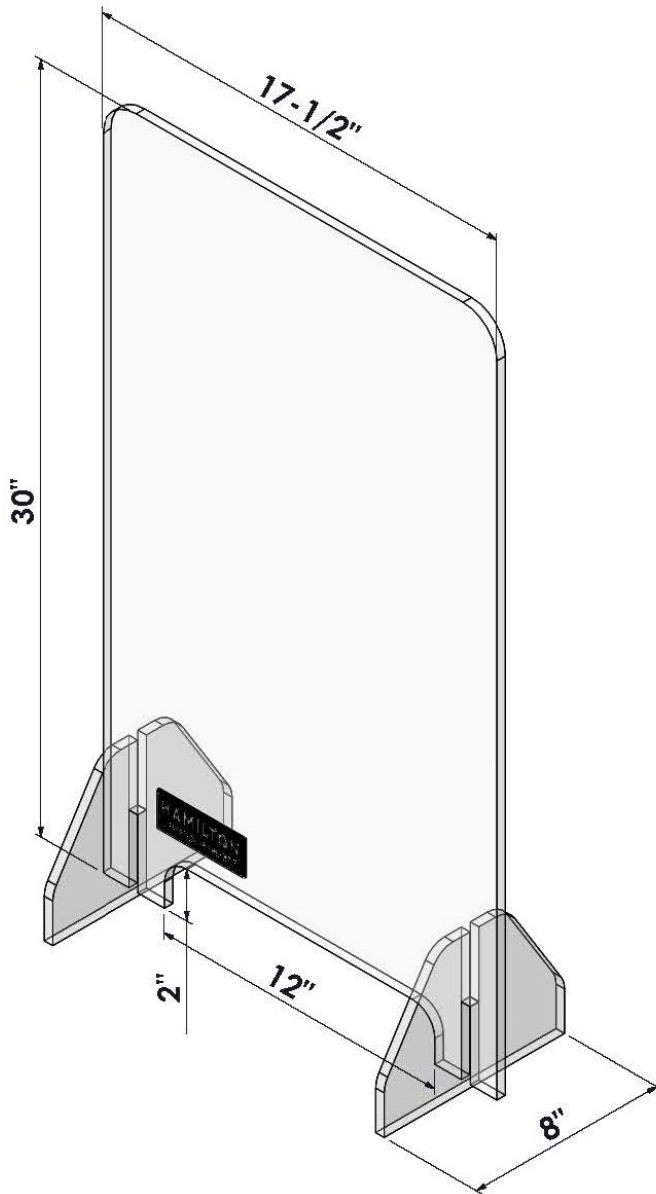
7775 Cooper Road | Cincinnati, OH 45242 | 513.874.3733 | hamiltonsecuritysolutions.com

©2020 Hamilton 4.2020

Narrow Clear Acrylic Sneeze Guard

**HAMILTON
WALK-UP**

Kit# PSG-101-KIT



- 30"H x 17 1/2"W x 8" Base
- Barrier against germs
- Clear site lines
- Impact resistant
- 12" wide pass thru
- Lightweight and portable
- Removable base for easy relocation

est. 1967

HAMILTON
CUSTOM MADE SECURITY

A **GUNNEBO**® COMPANY



7775 Cooper Road | Cincinnati, OH 45242 | 513.874.3733 | hamiltonsecuritysolutions.com

©2020 Hamilton 42020