



GERM SHIELDS

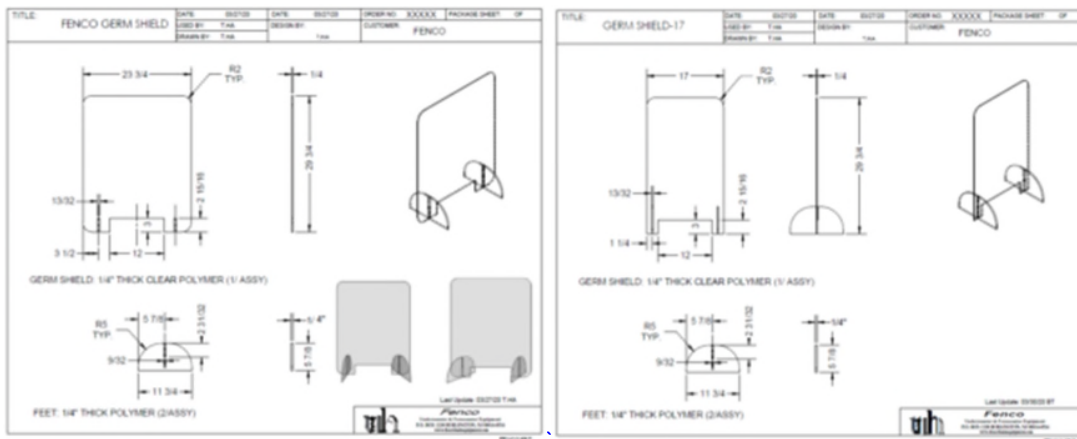
Germ shields from Fenco utilize 1/4" clear polycarbonate construction which has been shown to be more durable than acrylic.

STANDARD OFFERINGS:

- Fenco Germ Shield, 24"W x 30"H. Includes one shield with pass-thru (12"Wx3"H) and two legs. Speaking holes not included (can be drilled in the field if needed).
- Fenco Germ Shield, 17"W x 30"H. Includes one shield with pass-thru (12"Wx3"H) and two legs. Speaking holes not included (can be drilled in the field if needed).

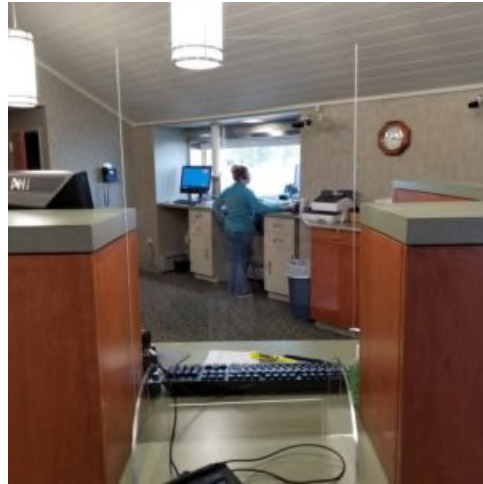
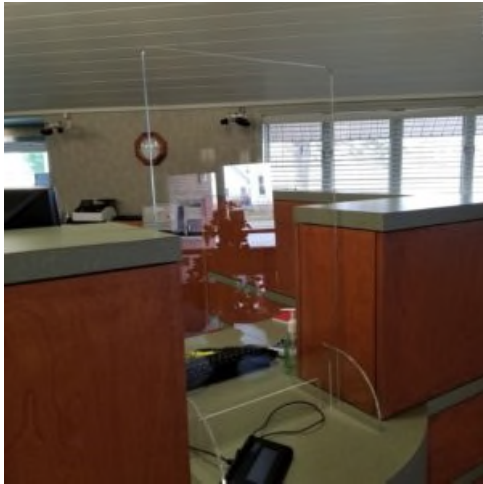
Custom sizes: Available upon request .

EASY INSTALLATION – Sits on top of the counter without the need for fastening, though the use of double-side tape is encouraged to ensure stability.



24X30

17X30



Photos supplied by Portland Safe

For more information contact BranchServ Sales.

sales@branchserv.com

833.303.SERV

www.branchserv.com