

HAMILTON SAFE®

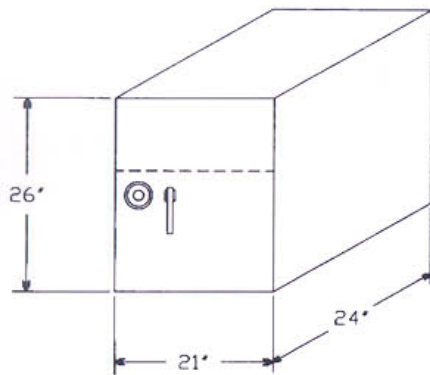
... because someone has to lead.

Modular Locker Sections

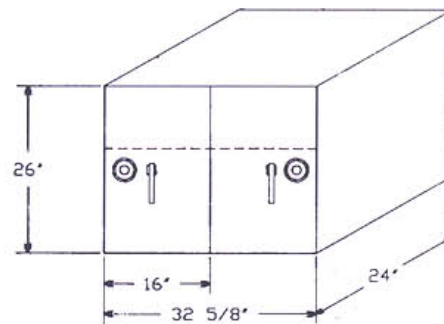
Standard Equipment for Models L26-1 and L26-2

- Combination lock
- One adjustable shelf (each opening)
- Dummy handle
- Painted doors and case

L 26-1



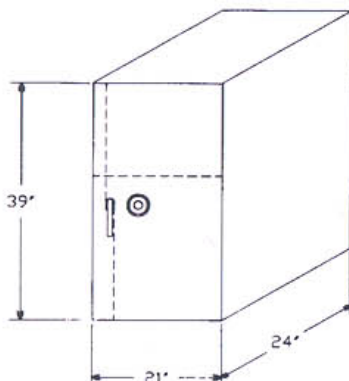
L 26-2



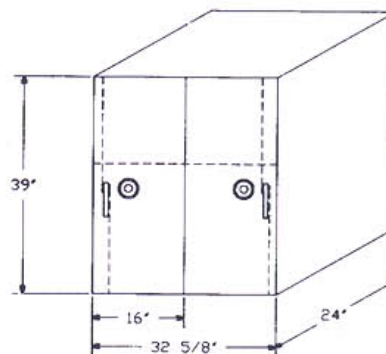
Standard Equipment for Models L39-1 and L39-2

- Combination lock
- One adjustable shelf (each opening)
- Boltwork
- Painted doors and case

L 39-1



L 39-2



HAMILTON SAFE®

... because someone has to lead.

Modular Locker Sections

Specifications for Traditional Lockers
(Models L4, L6, L8, L10, L26-1, L26-2, L39-1 and L39-2)

Casings:

Hot rolled steel with painted finish. Horizontal dividers and casing edges with painted finish.

Doors:

1/2" solid steel or aluminum alloy with painted finish. Pull knobs.

Hinges:

Heavy-duty architectural bronze.

Numbering:

Stamped.

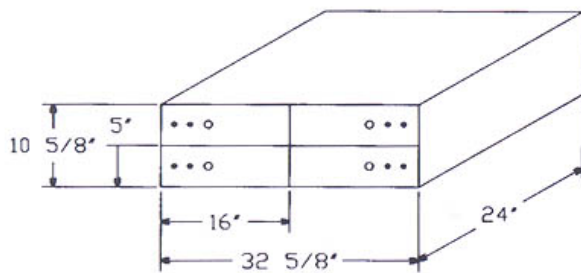
Lock:

Standard UL Listed safe deposit box lock, either single or double nose.

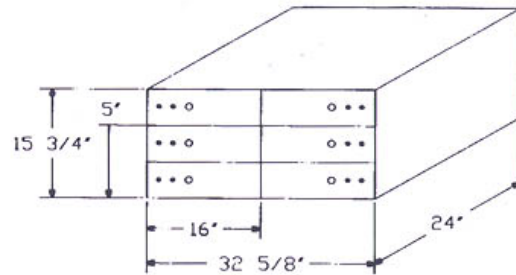
Bond box:

None.

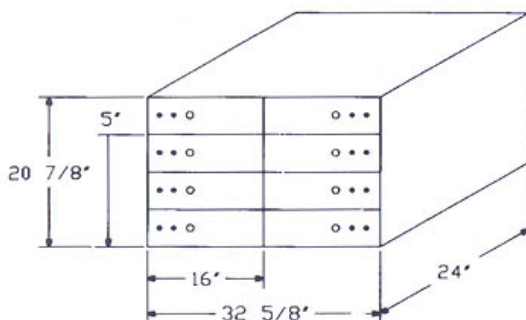
L4



L6



L8



L10

