

Fenco

SILVERLINE

Undercounter Teller Pedestals



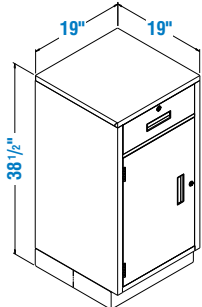
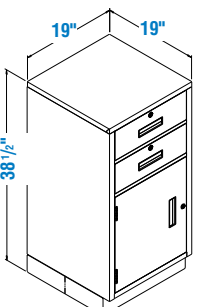
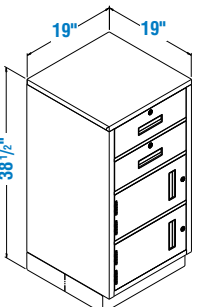
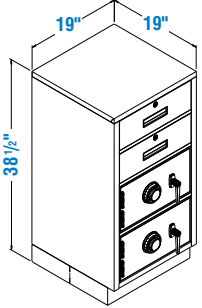
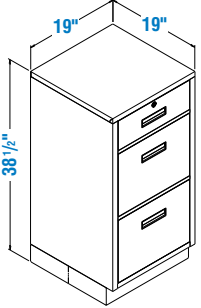
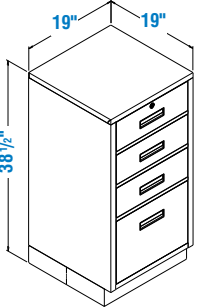
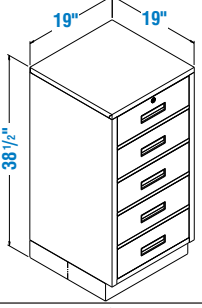
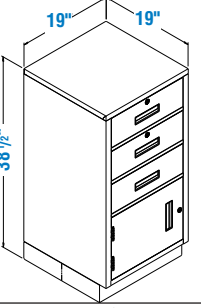
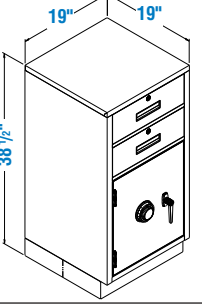
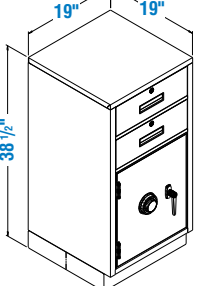
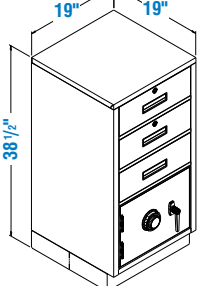
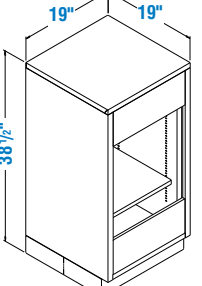
50 Plus Years of Manufacturing
ONLY IN THE U.S.A.

FENCO'S SILVERLINE has been designed and engineered as an alternative to **FENCO'S** Gold Standard product line. **FENCO** has been manufacturing its Gold Standard product line for over 50 years. **FENCO** helped set the design and specification standard the industry has been using for the last fifty plus years and we are proud of it. We gladly continue to offer the financial institution marketplace our Gold Standard product line as **FENCO'S** premier construction value.

However, what was right & best 50 years ago may not be all you need in today's ever changing competitive world. Therefore, we designed the **SILVERLINE** with a lighter gauge steel body &

changed the pedestal body construction to a Cap Top/Bottom, double-wall, soft tooled folded corner, all welded design. **FENCO** believes in steel construction, not plastic construction, to ensure many years of service in the high usage environment our pedestals must stand up to. So, unlike some of our competitors, we stayed away from plastic construction, as we believe it is not what's in the best interest of our customer base. Finally, we were concerned about the potential product liability issues of plastic components. Hence, you will not find any plastic construction in this **SILVERLINE** pedestal design.

To be sure you receive the best construction value for your money, **FENCO** did not change the

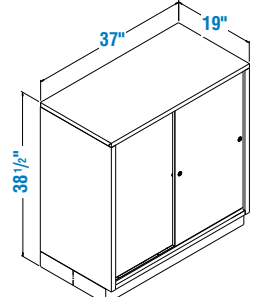
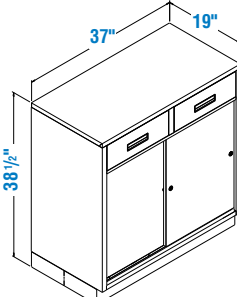
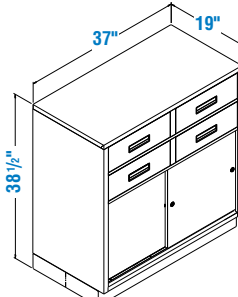
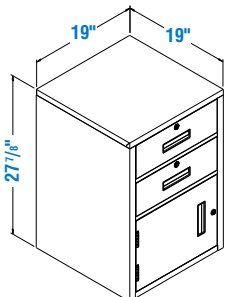
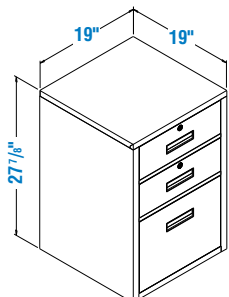
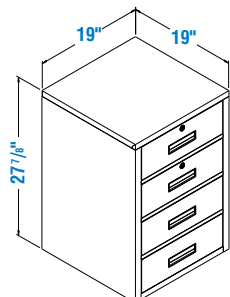
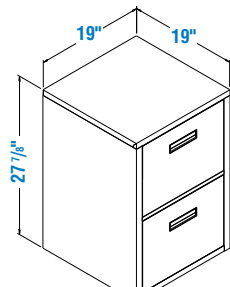
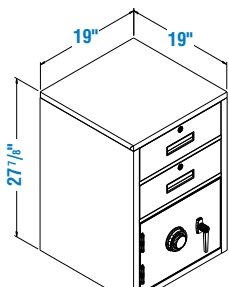
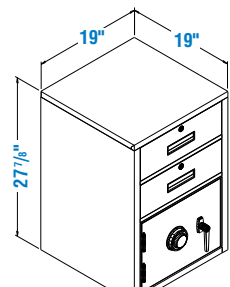
<p>#S-203</p>  <p>Model S-203 features one box drawer over a double pan cupboard door with No. 94 lock and one adjustable shelf. Weight: 117 lbs.</p>	<p>#S-204</p>  <p>Model S-204 features two box drawers over a double pan cupboard door with No. 94 lock and one adjustable shelf. Weight: 127 lbs.</p>	<p>#S-205</p>  <p>Model S-205 features two box drawers over two double pan cupboard doors with No. 94 lock. Weight: 138 lbs.</p>
<p>#S-207</p>  <p>Model S-207 features two box drawers over two 1/4" frame, 1/2" door lockers. Each locker is equipped with group 2 combination locks. Weight: 219 lbs.</p>	<p>#S-210</p>  <p>Model S-210 features one box drawer with No. 94 locks over two legal drawers w/HS. Weight: 140 lbs.</p>	<p>#S-212</p>  <p>Model S-212 features three box drawers (top one locked) over one legal drawer w/HS. Weight: 156 lbs.</p>
<p>#S-214</p>  <p>Model S-214 features five box drawers. The top drawer is equipped with a No. 94 lock. Weight: 173 lbs.</p>	<p>#S-216</p>  <p>Model S-216 features three box drawers (top two with No. 94 lock) over a double pan cupboard door with No. 94 lock and one adjustable shelf.</p>	<p>#S-220</p>  <p>Model S-220 replaces a former model offered 221. Model S-220 features two key locked box drawers over a full 1/2" locker with a 1/4" door. The locker is equipped with 3 point boltwork, a group 2 combination lock and one adjustable shelf.</p>
<p>#S-222</p>  <p>Model S-222 features two box drawers with No. 94 locks over a 1/4" frame, 1/2" door locker. The locker is equipped with 3 point boltwork, a group 2 combination lock and one adjustable shelf. Weight: 195 lbs.</p>	<p>#S-225</p>  <p>Model S-225 features three box drawers (top two with No. 94 lock) over a 1/4" frame, 1/2" door locker. The locker is equipped with 3 point boltwork and a group 2 combination lock. Weight: 189 lbs.</p>	<p>#S-226</p>  <p>Model S-226 is a corner pedestal designed for use in a return station application. Weight: 96 lbs.</p>

SILVERLINE to a lighter gauge steel drawer body assembly, nor did any of our cupboard doors and plated locker constructions go lighter. All interior components; drawers, doors, shelving and inserts are exactly the same as **FENCO'S** Gold Standard product line. The pedestal base itself did not change either, as it is the foundation of our pedestal tower.

The marked change is the dimensional footprint of the **SILVERLINE** versus **FENCO'S** standard Goldline. **We went from an 18"W single-width pedestal to a 19"W pedestal & from a 36"W double-wide pedestal to a 37"W. The height and depth remain the same at 38-1/2" High and 19" Deep respectively. FENCO'S** adjustable knee space (P-50) easily accommodates the

extra 1" Width on the single-wide line, allowing you to hold the industry specification of a 60"W typical station layout.

Of course the customer service attention that has helped market **FENCO** as the USA's # 1 independent undercounter teller pedestal supplier will not change. Nor will **FENCO** ever out-source manufacturing outside of these United States of America, as some of our competitors do. **FENCO** believes in American manufacturing and all the good things it has brought to this country over the last two hundred years. We also believe the more manufacturing that gets pushed out of this country will simultaneously weaken the country. **FENCO** is a "Born in the U.S.A. Company" & will stay that way.

<p>#S-231</p>  <p>Model S-231 features two double pan sliding doors and two adjustable shelves. Weight: 160 lbs.</p>	<p>#S-241</p>  <p>Model S-241 features two box drawers over two double pan sliding doors. The pedestal includes one adjustable shelf. Weight: 177 lbs.</p>	<p>#S-251</p>  <p>Model S-251 features four box drawers over two double pan sliding doors. The unit includes one adjustable shelf. Weight: 207 lbs.</p>
<p>#S-604</p>  <p>Model S-604 is a sit-down height pedestal featuring two box drawers with No. 94 lock over one double pan door with No. 94 lock. The unit includes one adjustable shelf. Weight: 122 lbs.</p>	<p>#S-606</p>  <p>Model S-606 is a sit-down height pedestal featuring two box drawers with No. 94 lock over one legal drawer w/HS. Weight: 134 lbs.</p>	<p>#S-608</p>  <p>Model S-608 is a sit-down height pedestal featuring four box drawers. The unit's top two drawers include a No. 94 lock. Weight: 158 lbs.</p>
<p>#S-609</p>  <p>Model S-609 is a sit-down height pedestal featuring two legal drawers w/HS. Weight: 124 lbs.</p>	<p>#S-620</p>  <p>Model S-620 is a sit-down height pedestal featuring two box drawers with No. 94 lock over a full 1/2" locker with a 1/4" door locker. The locker is equipped with 3 point boltwork, a group 2 combination lock and one adjustable shelf. Weight: 170 lbs.</p>	<p>#S-622</p>  <p>Model S-622 is a sit-down height pedestal featuring two box drawers with No. 94 lock over a 1/4" frame, 1/2" door locker. The locker is equipped with 3 point boltwork, a group 2 combination lock and one adjustable shelf. Weight: 181 lbs.</p>

Accessories

Product accessories that complement **FENCO'S SILVERLINE** pedestal line are all those items produced under the Goldline Accessories. Refer to our Goldline brochure for items such as cash trays, kneespaces, end panels, box drawer housings, card inserts & the like. Pricing on these items are found under the Goldline pricing schedule.

Fenco

SILVERLINE

FENCO TELLER COUNTERS INTEGRATING WITH THE SILVERLINE PEDESTAL LINE

As you know, **FENCO** not only produces teller undercounter teller pedestals, we design and produce teller counters, day gates, bullet resistant enclosures, back counter tops and check desks offering a Turn-key solution **FENCO'S SILVERLINE** is a fine alternative to our Goldline when designing a turnkey layout. You will not lose a step with the **SILVERLINE** teller pedestal line when integrating with **FENCO** counters. The aforementioned **SILVERLINE** pedestal dimensions (1"Wider than our Goldline) will be specified in our design and considered accordingly.

